

# Ramsey Accustar Power Weighframe

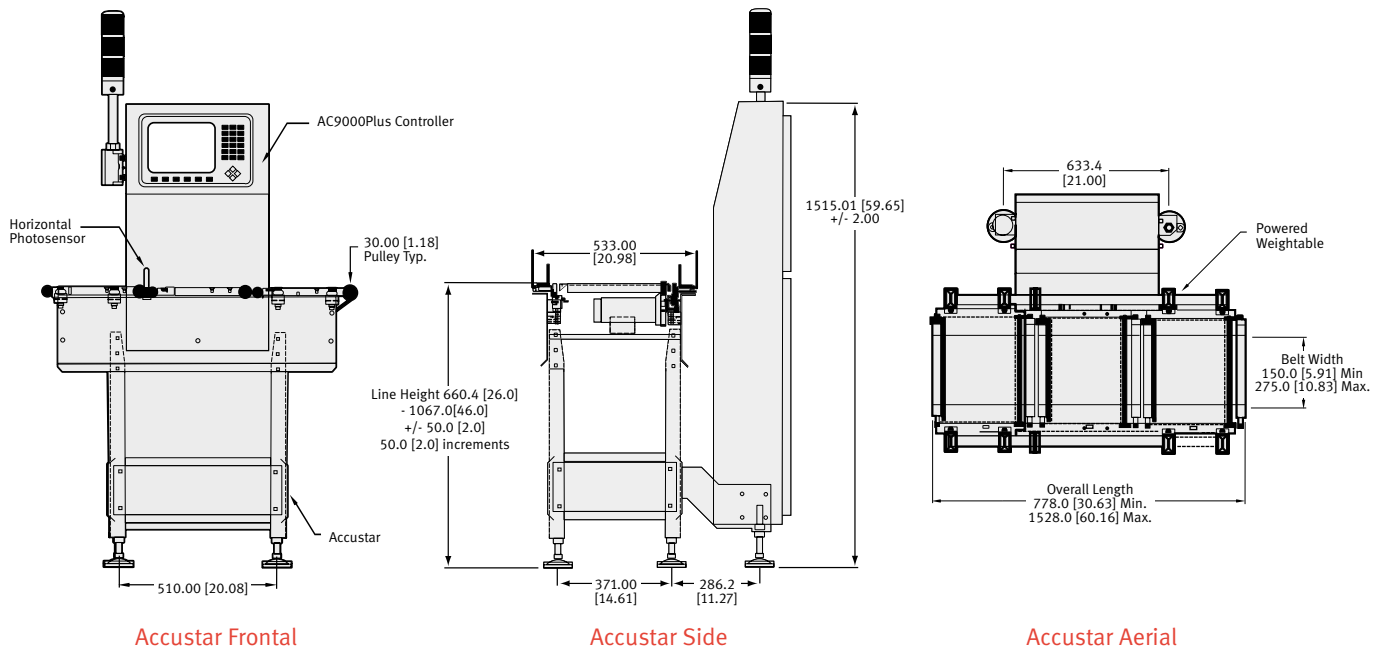


▽ Accustar Power Weighframe shown with AC9000Plus Controller

## Accurate Weighing for A Wide Range of Applications, including hard-to-handle/unstable products

- Belt Transport Ideal for Pouches and Bags
- Designed for Exceptional Performance and Reliability
- Throughput of up to 350 Packages per Minute
- Weighing Capacity up to 8.8lb, 4kg (Individual Product Weight)
- Dual Loadcell for Optimum Performance
- Hygienic Design / Easy to Clean

# Features and Benefits



Accustar Frontal

Accustar Side

Accustar Aerial

The modular design of the Accustar weighframe facilitates cleaning and enables easy integration into Clean-in-Place (CIP) environments. The 304 stainless steel weighframe is durable and features individually powered drive systems for proper package handling. By design, the transport mechanism minimizes vibration, which facilitates product stability and increases weighing accuracy. Dual loadcells with optimized temperature compensation effectively reduce weighing errors.

The Accustar may be ordered with a variety of reject systems such as air jets, pushers, drop gates, or carrier rejects for seamless integration into any production line. For washdown environments, a washdown option includes a hermetically sealed loadcell and waterproof drive motor.

## GENERAL SPECIFICATIONS

Compatible Controllers	AC9000Plus or AC4000i
Accuracy (typical) (2 std. deviations from mean)	± 1g Minimum (product/speed dependent)
Line Speed	20 to 300 ft per minute
Throughput	Up to 350 packages per minute
Product Weights	Up to 8.8 lb (4 kg) per product
Frame Construction	304 stainless steel
Drive Motor	Splash-proof standard Sealed washdown optional
Weigh Cell	Splash-proof standard Hermetically sealed optional
Operating Temperature	14 to 105 degrees F, -10 to 40 degrees C 0 to 95% humidity
Electrical	115/220 VAC + 10%, 50/60 Hz, single phase
Weightable Dimensions	Length: 9" / 12" / 15" / 18" Frame Height: (adjustable in 2" increments) 26" to 42" Width: 7" / 9" / 12"

## PRODUCT SPECIFICATIONS

Maximum Product Specification	Length: 17" (432mm) rate dependent Height: 11" (279mm) rigidity dependent Width: Product stability dependent
<b>OPTIONS</b>	
Transport Media	Urethane belts standard O-ring and plastic belts optional
Available Metal Detector	The Accustar is available with a metal detector as a combo unit
Infeed/Outfeed Conveyors, Side Belt Transfer	A complete selection of conveyors are available depending on application requirements – consult factory for details
Washdown Option	Hermetically sealed loadcell and waterproof motor
Emergency Stop	Mushroom push-button



Thermo Electron - Weighing and Inspection offers a wide variety of products and services designed specifically for the packaging industry. Contact Thermo Electron or your sales representative for further information.