

# PRODUCT BULLETIN

## OPTIONAL SAMPLING HARDWARE FOR PARTISOL<sup>®</sup> AND ACCU<sup>™</sup> SYSTEMS

The following sampling hardware is available from Thermo Electron Corporation for particulate and gaseous measurements using the Partisol Sampler and ACCU System:

- Polyurethane Foam (PUF) Sampling System  
Thermo part number 59-002535
- Four-Stage 47 mm Filter Pack  
Thermo part number 59-002532

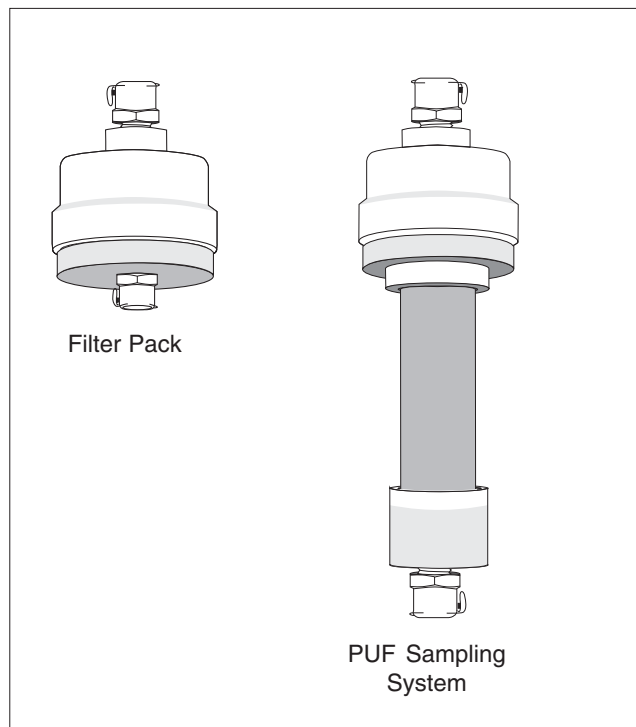
These systems contain the connecting hardware necessary for installation in Partisol Air Samplers equipped with the Hardware Mounting Kit and in ACCU Systems.

### *Polyurethane Foam (PUF) Sampling System*

This system consists of a two-stage 47 mm filter pack followed by a plug of polyurethane foam enclosed in an exchangeable teflon-coated tube. Common applications of this hardware include the sampling of polynuclear aromatic hydrocarbons (PAH's), dioxins, polychlorinated biphenyls (PCB's), polychlorinated naphthalenes (PCN's) and pesticides in ambient air.

### *Four-Stage Filter Pack for 47 mm Filters*

This system allows the sample stream to pass through a series of up to four 47 mm filters for the collection of particulate and acid aerosols. Typically, a Teflon<sup>®</sup> filter is used in the first stage to collect particulate, followed by a nylon filter for the sampling of nitric acid, and up to two specially-coated quartz or fiberglass filters for the collection of other airborne constituents.



Four-Stage Filter Pack (left) and PUF Sampling System installed in Partisol satellite units.

Partisol is a registered trademark of Thermo Electron Corporation.  
ACCU is a trademark of Thermo.



Air Quality Instruments  
rp Products  
[www.thermo.com/air](http://www.thermo.com/air)

26 Tech Valley Drive (518)452-0065  
East Greenbush, NY 12061 (518)452-0067 fax

ISO9001:2000  
Certified