

NOT TO SCALE  
124.26 ±0.25

99.00 ±0.25

12.63 ±0.25

9.00

23.20

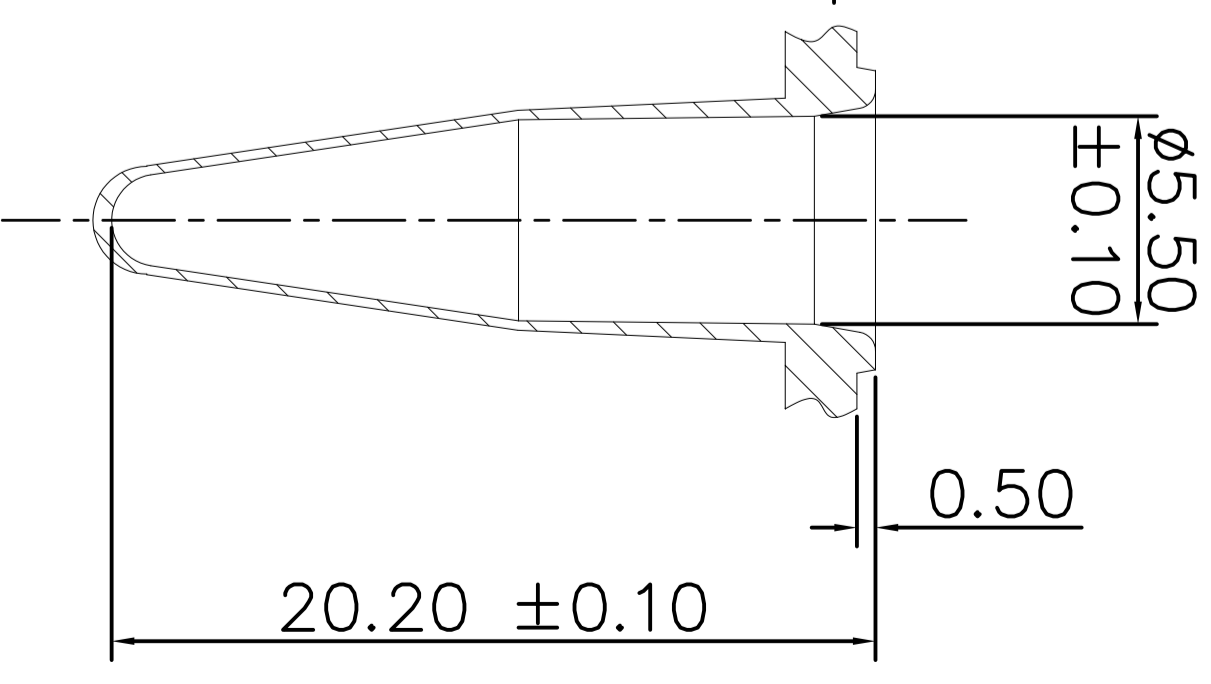
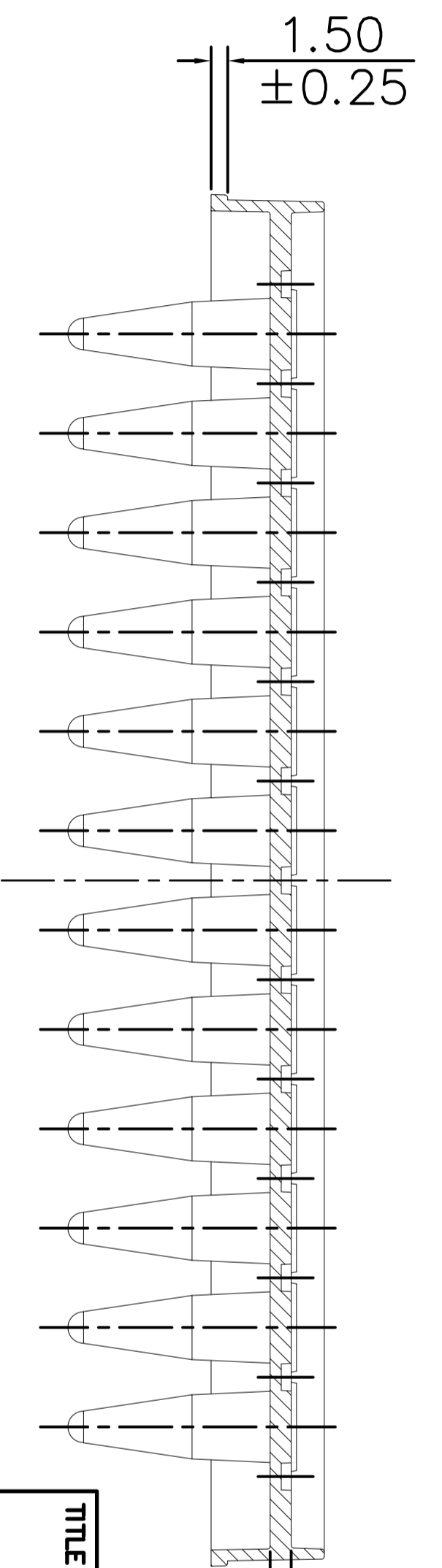
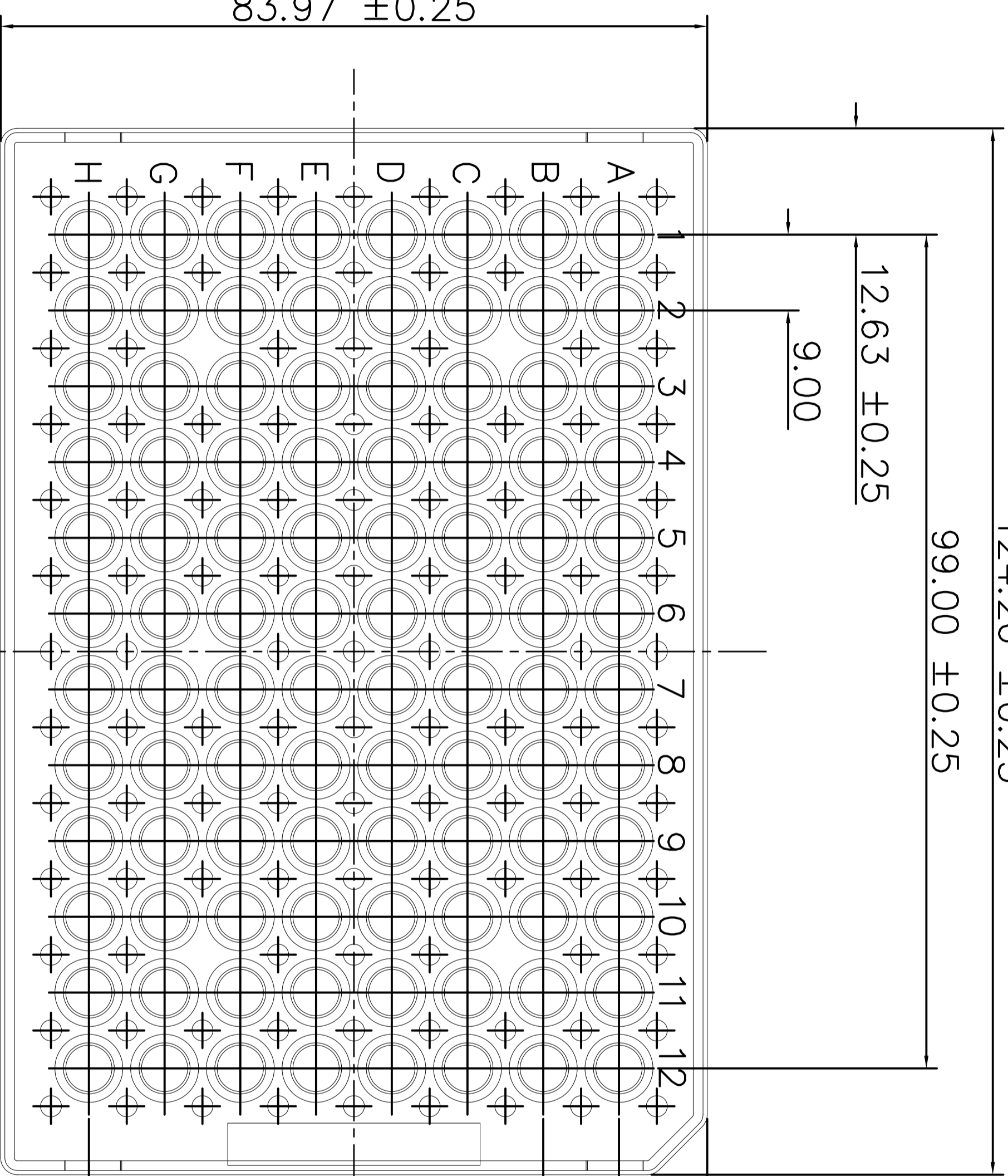
±0.25  
10.25

31.00

31.00

6.50 (x4)

83.97 ±0.25



VIAL FORM 96pos

Copyright ABgene®  
This drawing and/or any technical information relating to it is issued in strict confidence and may not be reproduced or used for manufacture without written permission. Upon receipt of which it is the users responsibility to seek confirmation of any dimensions and production tolerances.

TITLE

Super Plate PCR Detection

DRG. NO.

AB-2100

ISSUE

A

DATE

7/2/07

All dimensions in mm

SECTION ON CENTRE LINE