

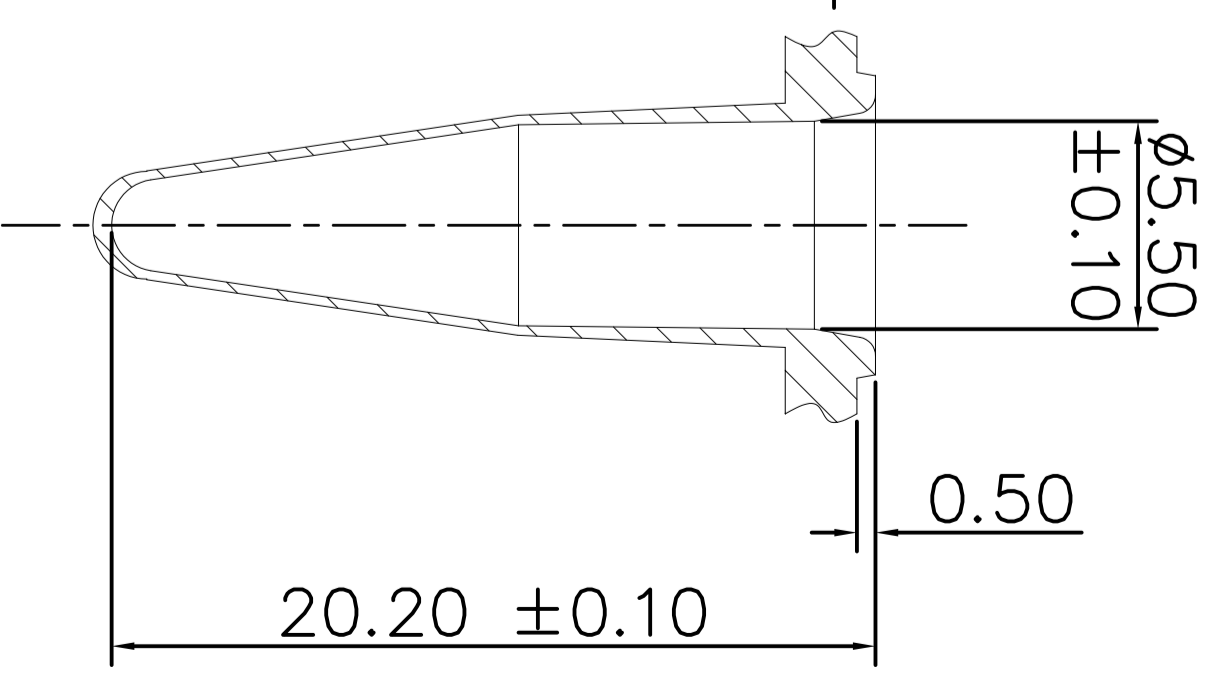
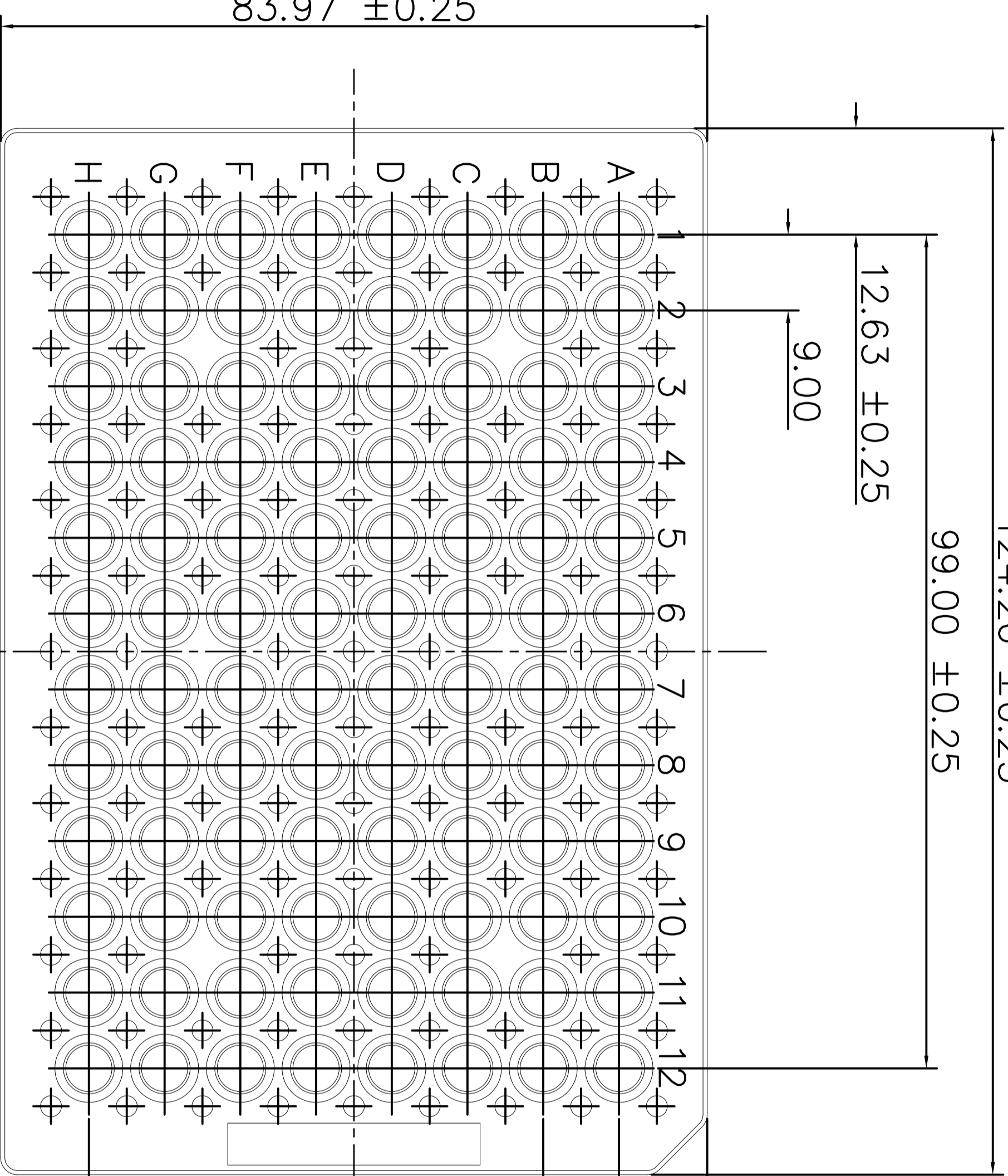
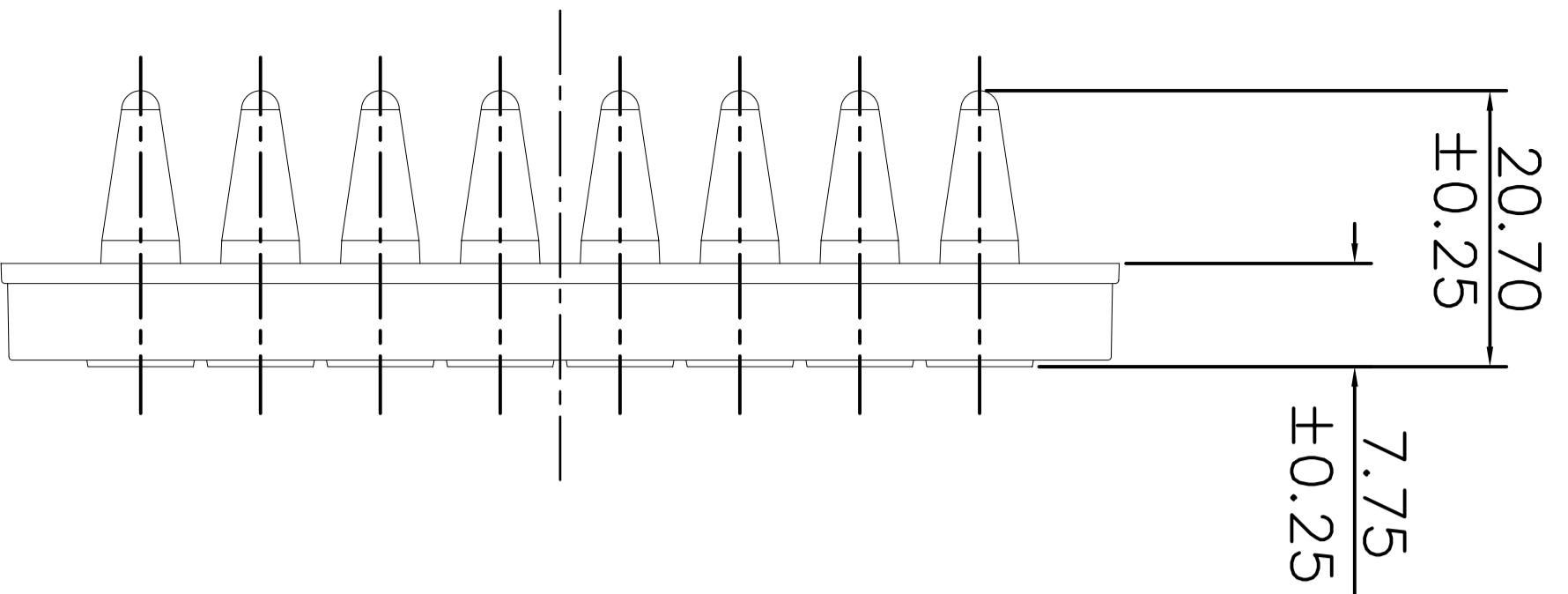
NOT TO SCALE
124.26 ±0.25

99.00 ±0.25

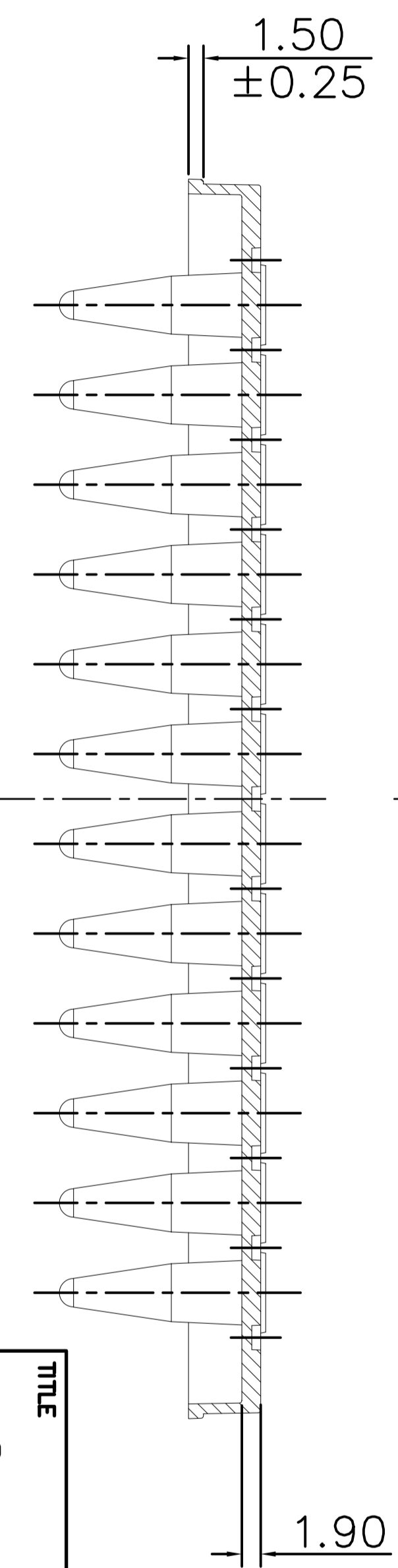
12.63 ±0.25

9.00

83.97 ±0.25



VIAL FORM 96pos



SECTION ON CENTRE LINE

Copyright ABgene®
This drawing and/or any technical information relating to it is issued in strict confidence and may not be reproduced or used for manufacture without written permission. Upon receipt of which it is the users responsibility to seek confirmation of any dimensions and production tolerances.

TITLE
Super Plate Semi-Skirted

All dimensions in mm

DRG. NO.	ISSUE	DATE
AB-2400	A	7/2/07