

The Thermo Scientific Versa GP is an accurate, reliable, easy-to-use and easy-to-clean checkweigher. Its compact and efficient design optimizes integration into an existing production line. Suitable in a broad range of applications, the Versa GP minimizes underfill and overfill in packaged products, saving you money and protecting your brand.

## Thermo Scientific Versa GP

A general purpose and versatile checkweigher



### Features

- Cantilever design to facilitate sanitation
- Small footprint and adjustable height for easy integration into a production line
- No-maintenance, high-torque brushless DC motors
- Easy-to-read, color interface with touch-screen operation
- Configurable security-access levels
- Controller uses Windows XP® operating system



### Application Knowledge

The Thermo Scientific Versa GP is the new generation of general purpose checkweighers from a leader in the field of dynamic weighing for more than 50 years. We understand your application, your environment and your requirements. And we've built upon our vast experience and strong legacy (former Ramsey, Best Inspection and TechnoEuropa brands) to bring you a highly accurate and reliable checkweigher under our new product brand, Thermo Scientific.

### Compact, Hygienic Design

This versatile checkweigher is suitable for small-to-large packages in dry or wet environments for the food, pharmaceutical and consumer goods industries. It can handle weighing, control and reject functions at line speeds up to 350 packages per minute. The cantilever belt design enables you to maintain an exceptional sanitary environment. Its compact design and adjustable belt height allows for flexible line placement. For increased functionality, an optional Thermo Scientific APEX metal

detector may be seamlessly integrated to provide a complete weight control and contaminant inspection station.

### Easy-to-Use Interface

We've made significant improvements to our checkweigher controller, including:

- Automatic setup in just minutes, almost eliminating the need for formal setup training
- Contextual help screens to guide operation
- Controlled access for complete security and data integrity
- Expanded statistics and graphs for detailed views of production line performance
- One hundred standard product memories, expandable and searchable by product or name
- Snapshot product information displayed on main screen
- Large, high-visibility weight display supplemented by a bright "good/bad" or "go/no go" indicator.



## Thermo Scientific Versa GP

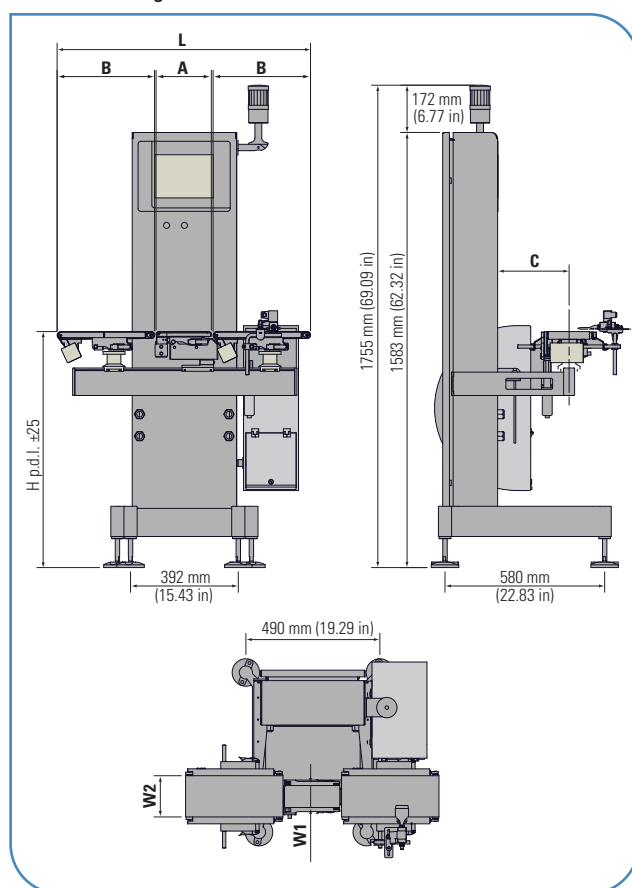
### General Specifications

Operating Temperature	0°C to +40°C (+32°F to +104°F)
Relative Humidity	20% to 90%, non-condensing
Electrical	90-250 VAC, 50/60 HZ 15 A
Air Requirement	Dry, 5.5-6.9 bar (80-100 psi)
Line Height	630 mm (24.8 in) to 1150 mm (45.3 in)

	Versa GP-Pharma	Versa GP-200	Versa GP-275	Versa GP-300
Maximum Package Weight	500 g (17.5 oz)	2.5 kg (5.5 lb)	2.5 kg (5.5 lb)	2.5 kg (5.5 lb)
Maximum Line Speed	350 ppm	280 ppm	210 ppm	210 ppm
Typical Accuracy†	±0.2 g	±0.3 g	±0.5 g	±0.5 g
Motors	Brushless DC	Brushless DC	Brushless DC	Brushless DC
Construction Body/Bed/Rollers	SS/alum/alum	SS/SS/alum	SS/SS/alum	SS/SS/alum
Washdown Rating	IP-55	IP-66	IP-66	IP-66

† Actual accuracy for any application is dependant on packaging length, weight, speed and stability.

### Dimensional Diagram



Versa GP-200					
A	B	C	W1	W2	L
250 mm	250 mm	260 mm	200 mm	200 mm	see note A
300 mm	300 mm	260 mm	200 mm	200 mm	see note A
400 mm	400 mm	260 mm	200 mm	200 mm	see note A
500 mm	500 mm	260 mm	200 mm	200 mm	see note A
—	600 mm	260 mm	200 mm	200 mm	see note A
—	800 mm	260 mm	200 mm	200 mm	see note A

Versa GP-275					
A	B	C	W1	W2	L
300 mm	300 mm	260 mm	275 mm	275 mm	see note A
400 mm	400 mm	260 mm	275 mm	275 mm	see note A
500 mm	500 mm	260 mm	275 mm	275 mm	see note A
600 mm	600 mm	260 mm	275 mm	275 mm	see note A
—	800 mm	260 mm	275 mm	275 mm	see note A
—	1000 mm	260 mm	275 mm	275 mm	see note A

Versa GP-300					
A	B	C	W1	W2	L
350 mm	350 mm	285 mm	300 mm	300 mm	see note A
400 mm	400 mm	285 mm	300 mm	300 mm	see note A
500 mm	500 mm	285 mm	300 mm	300 mm	see note A
600 mm	600 mm	285 mm	300 mm	300 mm	see note A
—	800 mm	285 mm	300 mm	300 mm	see note A
—	1000 mm	285 mm	300 mm	300 mm	see note A

Versa GP-Pharma					
A	B	C	W1	W2	L
200 mm	350 mm	260 mm	80 mm	150 mm	900 mm
200 mm	350 mm	260 mm	140 mm	150 mm	900 mm
250 mm	350 mm	260 mm	140 mm	150 mm	950 mm
300 mm	350 mm	260 mm	150 mm	150 mm	1000 mm

**Note A:** Freestanding option required for pusher rejects and/or to ensure the total cantilevered length of conveyors is no greater than 1250 mm with combo configuration or 1350 mm without combo.

© 2008 Thermo Fisher Scientific Inc. All rights reserved. Windows XP is a registered trademark of Microsoft Corporation in the United States and/or its subsidiaries. Results may vary under different operating conditions. Specifications, terms and pricing are subject to change. Not all products are available in all countries. Please consult your local sales representative for details. Literature code PI.0062.1008

Argentina  
+54 (0) 11 4334 3827  
+54 (0) 11 4334 9159 fax

Australia  
+61 (0) 8 8208 8200  
+61 (0) 8 8234 3772 fax

Canada  
+1 (905) 888-8808  
+1 (905) 888-8828 fax

Chile  
+56 (0) 2 378 8050  
+56 (0) 2 370 1082 fax

China  
+86 (0) 21 6865 4588  
+86 (0) 21 6445 1101 fax

France  
+33 (0) 160 92 48 00  
+33 (0) 160 92 49 00 fax

Germany  
+49 (0) 208-824930  
+49 (0) 208-852310 fax

India  
+91 (20) 6626 7000  
+91 (20) 6626 7001 fax

Italy  
+39 05 217886-1  
+39 05 212729-14 fax

Malaysia  
+60 (0) 3 5122 8888  
+60 (0) 3 5121 8899 fax

Mexico  
+52 (01) 55 5638 0237  
+52 (01) 55 5639 2227 fax

Netherlands  
+31 (0) 76-579-5555  
+31 (0) 76-571-4958 fax

South Africa  
+27 (0) 11-609-3101  
+27 (0) 11-609-3110 fax

Spain  
+34 (0) 91-484-5965  
+34 (0) 91-484-3597 fax

United Kingdom  
+44 (0) 1788-820300  
+44 (0) 1788-820301 fax

United States  
+1 (800) 227-8891  
+1 (763) 783-2525 fax  
+1 (763) 783-2500 direct

[www.thermo.com/checkweighers](http://www.thermo.com/checkweighers)