

Thermo Scientific Microflex™

OEM Peristaltic Pump for Microfluidic Applications



Ideal for a wide variety of life science, medical, and industrial applications:

- Chromatography,
- Spectroscopy,
- Lab analyzers,
- Fermenter recirculation
- Reagent metering applications,
- Bio-reactor feed and chemistry control
- pH control

Instrument quality design in a small, compact package



Approvals and quality standards

UL, cUL and CE
ISO 9001:2000
ISO 13485:2003
1 year warranty

Pump design

Fixed occlusion eliminates adjustment after tubing changes and assures operation against pressure up to 30 PSIG.

New tubing retention prevents tubing “creep” (pat. pending).

High purity

Accommodates all sizes and formulations of microbore flow rated tubing.

Manufacturer recommended Microbore BioPharm™ Plus silicone tubing - non-spalling and ultra-smooth performance

Performance

Flow rates less than 3 μ L/min to 30 ml/min.

Pressure up to 2 bar (30 PSIG)

Accurate and repeatable flow delivery

Mounting options

Panel mounted.

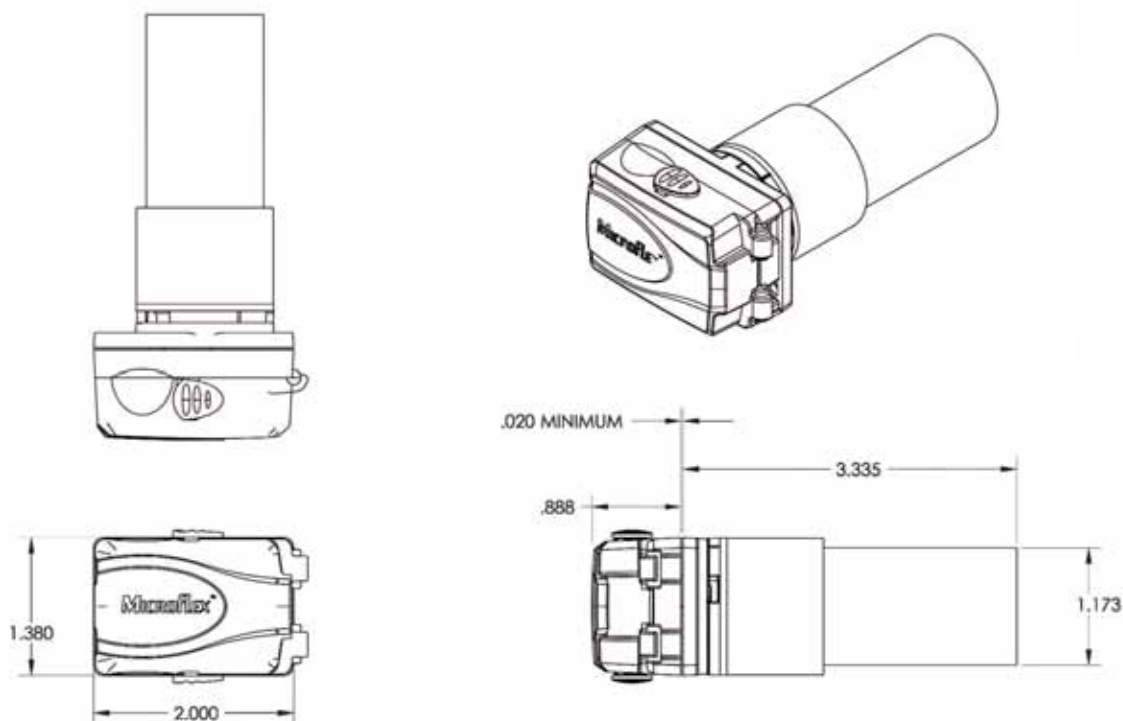
Mount pumps in any of four directions – tubing up or down, or left or right.

Motors

Easily replace motor with simple bayonet mounting.

Motor options include 12v or 24v DC. Brushless, stepper, or other motor options are available.

Microflex™ OEM Peristaltic Pump



Tubing Suffix	Tubing ID in (mm)	Flow Rate		
		10 rpm ($\mu\text{L}/\text{min}$)	80 rpm ($\mu\text{L}/\text{min}$)	300 rpm ($\mu\text{L}/\text{min}$)
-10	0.007 (0.19)	13.0	100	385
-12	0.010 (0.25)	22.5	180	670
-14	0.015 (0.38)	50.5	400	1510
-16	0.017 (0.44)	67.0	535	2000
-18	0.020 (0.51)	87.0	700	2600
-22	0.025 (0.64)	135	1050	4050
-24	0.030 (0.76)	185	1450	5550
-26	0.035 (0.89)	245	1950	7400
-28	0.040 (1.02)	315	2500	9400
-30	0.045 (1.14)	385	3100	11500
-32	0.051 (1.30)	485	3850	14500
-34	0.056 (1.42)	565	4500	17000
-36	0.060 (1.52)	635	5100	19000
-38	0.065 (1.65)	730	5850	22000
-40	0.073 (1.85)	885	7100	26500
-42	0.081 (2.06)	1050	8500	32000
-44	0.090 (2.29)	1250	9350	36000
-46	0.100 (2.54)	1450	10200	40500
-48	0.110 (2.79)	1650	11000	43000

www.thermo.com/fluidhandling

Barrington, IL 60010
 1-800-637-3739, Press 4 for OEM Sales
 1-847-381-7050, Press 4 for OEM Sales
 1-847-381-7053 fax

Thermo
 SCIENTIFIC