

The Thermo Scientific HyClone Labtainer BioProcess Container™ (BPC®) Systems are for small volume liquid handling applications in bioresearch and biopharma production.

Thermo Scientific HyClone® Labtainer™ BioProcess Container Systems

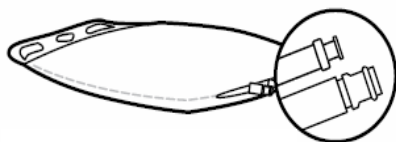
Overview:

Labtainer bags effectively address small volume liquid handling needs. They range in size from 50 mL to 50 L, with a variety of standard configurations to meet most application needs. Labtainers are space saving, ergonomic and constructed of CX5-14 film. Standard product configurations cover a wide range of industry standard connection systems. Handling systems are available for transport and storage.

Chamber Details:

50 mL - 3 L

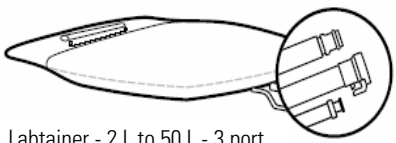
Polyethylene tube ports are welded into the bag seam 2 x 1/4" I.D. ports on standard chamber.



Labtainer - 50 mL to 2 L - 2 port

2 L - 50 L

Polyethylene tube ports are welded into the bag seam 2 x 3/8" and 2 x 1/4" I.D. ports on standard chamber.



Labtainer - 2 L to 50 L - 3 port

Standard Products:

Standard designs are available to suit a wide range of applications. Details are found on pages 34-35 in the Thermo Scientific HyClone BPC Catalog.



Chamber Information:

Volume	Empty Bag Dimensions (L x W")	Maximum Volume (NOT for shipping)	Nominal Filled Bag Dimensions (L x W x H")	Liquid filled Shipping Box Dimensions (# of units) (L x W x H")
50 mL	4.6 x 5.4" (11.7 x 13.7 cm)	55 mL	4.6 x 5.5 x .5" (11.6 x 13.9 x 1.2 cm)	N/A
100 mL	5.8 x 5.6" (14.7 x 14.2 cm)	110 mL	5.7 x 5.5 x .5" (14.4 x 13.9 x 1.2 cm)	N/A
250 mL	7.5 x 5.9" (19.1 x 15 cm)	275 mL	7.5 x 5.8 x .75" (19 x 14.7 x 1.9 cm)	N/A
500 mL	10.4 x 6.8" (26.4 x 17.3 cm)	550 mL	10.4 x 6.5 x 1" (26.4 x 16.5 x 2.5 cm)	(4-10) 23.75 x 17.5 x 5.6" (60.3 x 44.4 x 14.2 cm)
1 L	11.7 x 7.9" (29.7 x 20.1 cm)	1.1 L	11.5 x 7.2 x 2" (29.2 x 18.2 x 5 cm)	(1) 15.25 x 11 x 2.9" (38.7 x 27.9 x 7.3 cm)
2 L - 2 Port	13.7 x 9.6" 34.8 x 24.4 cm)	2.2 L	13.5 x 8.5 x 2.2" (34.2 x 21.5 x 5.5 cm)	(1) 16.25 x 10.5 x 3.6" (41.2 x 26.6 x 9.1 cm)
2 L - 3 Port	11.6 x 12.2" (29.5 x 31 cm)	2.2 L	11 x 12 x 2" (27.9 x 30.4 x 5 cm)	(1) 16.25 x 10.5 x 3.6" (41.2 x 26.6 x 9.1 cm)
3 L	15.5 x 12.3" (39.7 x 31.2 cm)	3.3 L	15 x 11.5 x 2.2" (38.1 x 29.2 x 5.7 cm)	(1) 28 x 11.75 x 5" (71.1 x 29.8 x 12.7 cm)
5 L	14.8 x 13.1" (37.6 x 33.3 cm)	5.5 L	13 x 13 x 4" (33 x 33 x 10.1 cm)	(1) 16.25 x 12.75 x 6.25" (41.2 x 32.3 x 15.8 cm)
10 L	24.5 x 11.8" (62.2 x 30 cm)	11 L	23 x 11 x 4.5" (58.4 x 27.9 x 11.4 cm)	(1) 24.75 x 10.75 x 6.25" (62.8 x 27.3 x 15.8 cm)
20 L	25.8 x 17" (65.5 x 43.2 cm)	22 L	23 x 14.5 x 5.7" (58.4 x 36.8 x 14.6 cm)	(1) 25.25 x 15.25 x 7.75" (64.1 x 38.7 x 19.6 cm)
30 L	32.3 x 21" (82.0 x 53.3 cm)	33 L	30.5 x 19.5 x 5.2" (77.4 x 49.5 x 13.3 cm)	N/A
50 L	32.5 x 23" (82.6 x 58.4 cm)	55 L	28.5 x 21 x 8.5" (72.3 x 53.3 x 21.5 cm)	N/A

Ordering Information for Standard BPC Products

Custom BPC Options:

Dip Tubes	None to Full Length; 1/4 to 1/2" (6.35 to 12.7 mm) ID
Tubing Type	C-Flex® (clear, white and ADCF), Silicone, PVC, PharMed® or PharmaPure®
Tubing Size	Specific Lengths of 1/8 to 1" (3.18 to 25.4 mm) ID — depending on type of tubing chosen
Connectors	Luer — 1/8 to 1/4" (3.18 to 12.7 mm) ID CPC — 1/4 to 3/4" (6.35 to 19 mm) ID SIP Connector — 1/4 to 3/4" (6.35 to 19 mm) ID Triclamp — 1/8" to 1" (3.18 to 25.4mm) ID Mini-Triclamp — 1/8 to 1/2" (6.35 to 12.7 mm) ID Aseptic Connection Device — All available sizes of Pall™ Kleenpak™ and BioQuate™ DAC
Others	Needle-free sample port (Smartsite® or Clave®) Filter Capsule (Millipore®, Pall, Sartorius™, Domnick Hunter®, Meissner®, Other)

Presentation (as dry BPC systems):

Outer Packaging	Supplied 'flat-packed' Two polyethylene outer layers
Label	Description Product code Lot number Expiry date on outer packaging and shipping container
Sterilization	Irradiation (25 to 38 kGy) inside outer packaging
Shipping Container	Durable cardboard carton
Documentation	Certificate of Analysis provided with each lot for each delivery

Tote with Lid:

Industry standard Rubbermaid™ totes with corresponding lids are available. They can be used to protect Labtainers up to 20 L in size during use, transport and storage.

Description	Part Number	Rubbermaid Part Number	Dimensions	Capacity
Tray	SV50163.01	3508-WHITE	26 x 18 x 6" (66 x 45.7 x 15.2 cm)	32.2 L
Lid	SV50163.02	3502-WHITE	26 x 18" (66 x 45.7 cm)	N/A



Commercially Available Tray and Rack Systems:

These systems are available from materials handling suppliers. For example, a stainless steel system available from Koch™ Supplies.

Description	Koch Part Number	Dimensions	Capacity
SS Knock Down Cart	2990 2939	20.25 x 28 x 58" (51.4 x 71.1 x 147.3 cm)	300 lbs (136 kg)
SS Tray	3013 1164	18 x 26 x 1" (45.7 x 66 x 2.5 cm)	Use up to 5 trays per cart when using with Labtainers

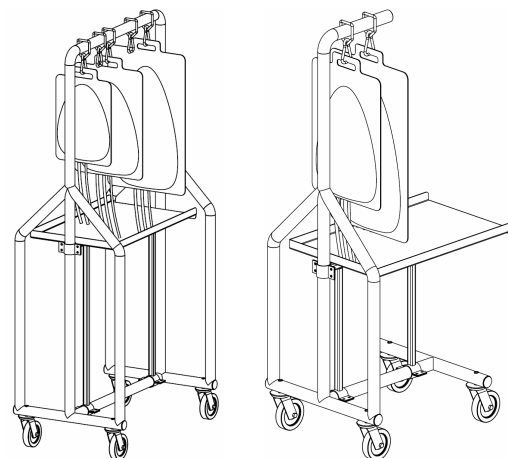
For ordering, contact Koch Supplies, Inc at (800) 456-5624



Thermo Scientific HyClone Hanging Rack:

Specifically designed for use with Labtainers up to 20 L in size which are held in a hanging position to allow complete drainage by pump or gravity feed.

Part Number	Large Rack	Small Rack	Tray (bolt on)	Height	Width (approximately)
SV50149.01	X			81" (205.7 cm)	37 x 24" (93.9 x 60.9 cm)
SV50149.02	X		X	81" (205.7 cm)	37 x 24" (93.9 x 60.9 cm)
SV50149.03		X		68" (172.7 cm)	26 x 24" (66 x 60.9 cm)
SV50149.04		X	X	68" (172.7 cm)	26 x 24" (66 x 60.9 cm)



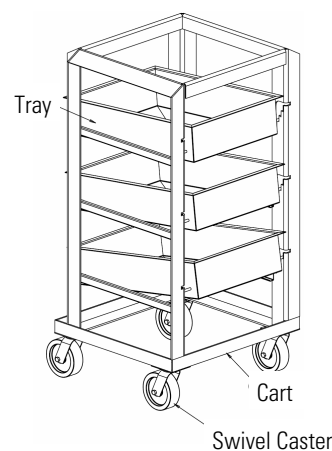
Large Rack with Tray

Small Rack with Tray

Thermo Scientific HyClone Tray and Rack System:

Specifically designed for use with Labtainers up to 20 L which are held in an inclined position to allow complete drainage by pump or gravity feed.

Part Number	Description	Dimensions
SV50164.01	Tray	26 x 18 x 6" (66 x 45.7 x 15.2 cm)
	Rack	25.4 x 27.7 x 53.8" (64.5 x 70.4 x 136.7 cm)



©2008 Thermo Fisher Scientific Inc. All rights reserved. Smartsite® is a trademark of ALARIS Medical Systems, Inc. C-Flex® and PharMed® are registered trademarks of Saint-Gobain. PharmaPure® is a registered trademark of PharmaPure Tubing. Clave® is a registered trademark of ICU Medical. Pall™ and Kleenpak™ are registered trademarks of Pall Corporation. BioQuate™ is a registered trademark of BioQuate Incorporated. Millipore® is a registered trademark of Millipore Corporation. Meissner® is a registered trademark of Meissner Filtration Products. Domnick Hunter® is a registered trademark of Parker Hannifin Ltd. Sartorius™ is a registered trademark of Sartorius Stedim Biotech. Koch™ Supplies is a registered trademark of Koch Supplies, Inc. Rubbermaid™ is a registered trademark of Rubbermaid Incorporated Corporation. All other trademarks are the property of Thermo Fisher Scientific Inc. and its subsidiaries. Specifications, terms and pricing are subject to change. Not all products are available in all countries. Please consult your local sales representative for details.
46456



HyClone Laboratories, Inc. Logan, UT USA is ISO Certified.

HyClone - Media•BPC•Sera
925 West 1800 South
Logan, UT
84321

In Americas/Asia
435-792-8000
435-792-8001 fax

In Europe
+32 53 85 75 59
+32 53 85 74 31 fax

www.thermo.com/hyclone

Thermo
SCIENTIFIC