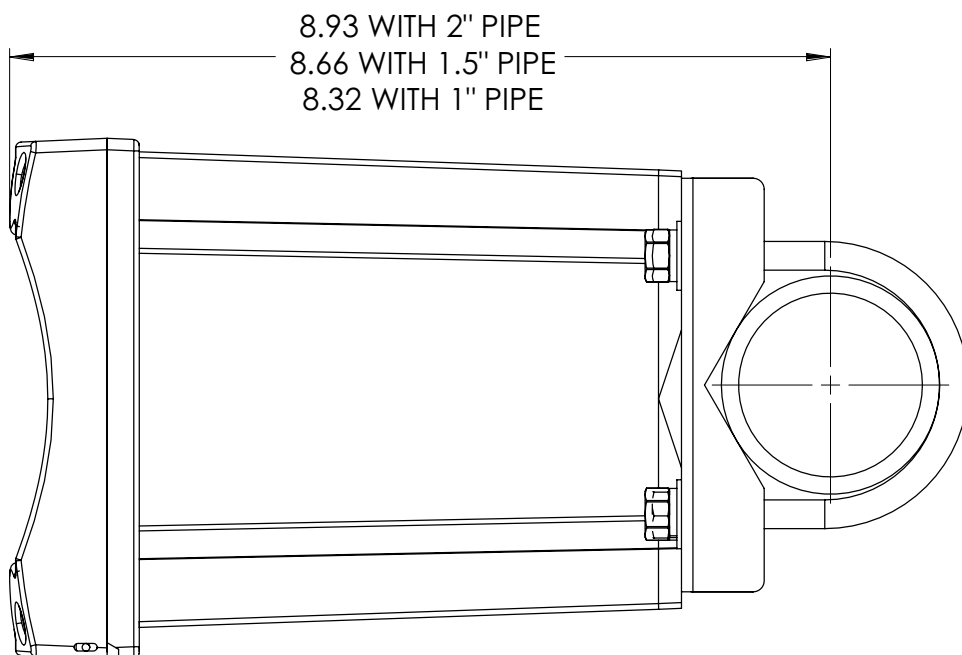
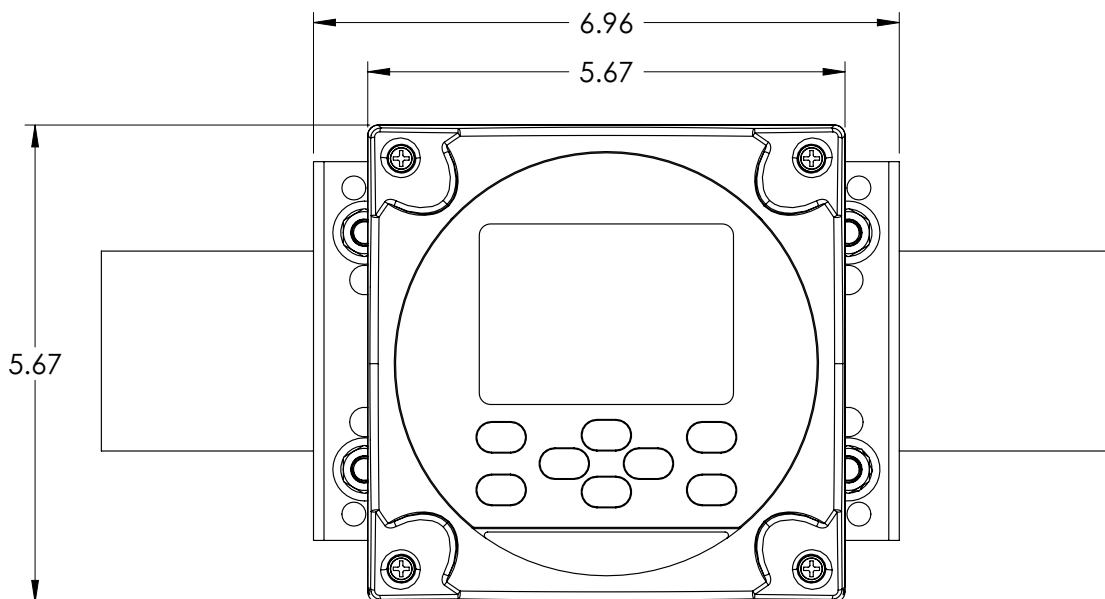


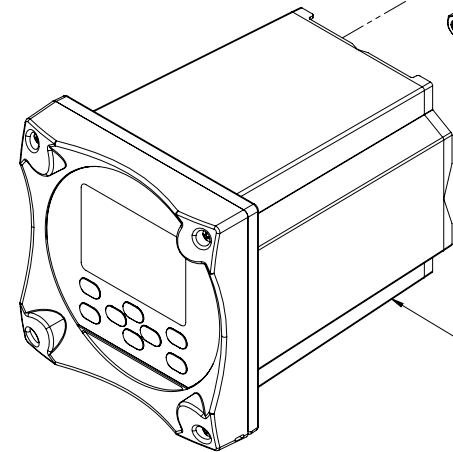
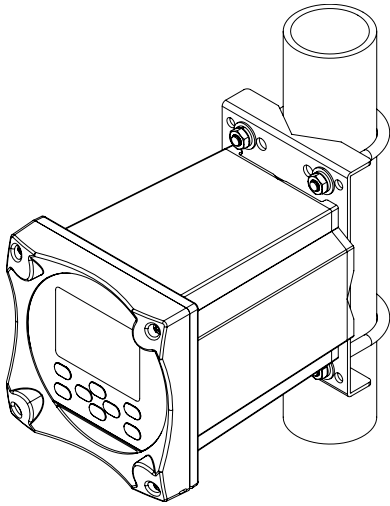
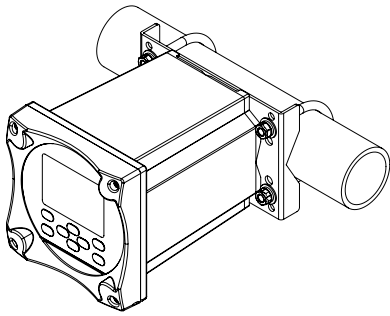
# Thermo Scientific Orion 2100 Series Analyzer Pipe Mounting Kit, Cat. No. 2100PMK

## Mounting Specifications

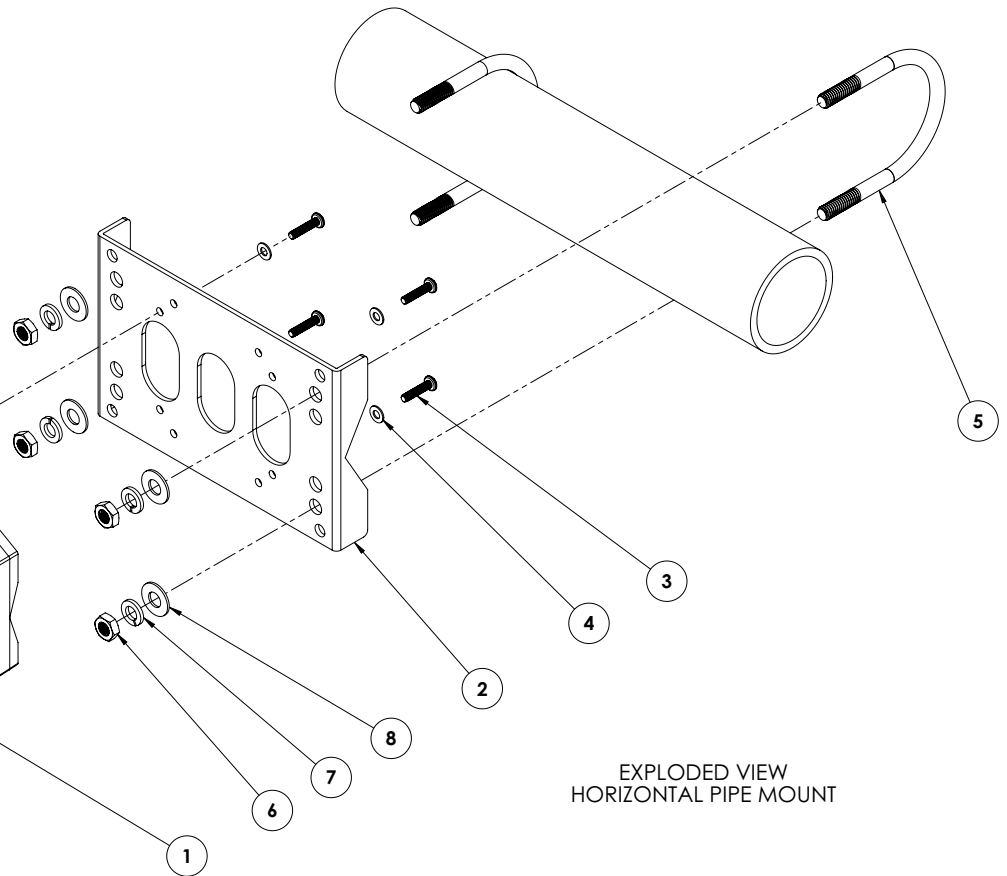
All dimensions are in inches, with a tolerance of  $\pm 0.01$  inch.



## Mounting Instructions



1. Assemble the mounting plate (**item 2**) with the monitor (**item 1**) using four #8 screws (**item 3**) and four washers (**item 4**). Position the bracket as shown in the exploded view figure when mounting to a horizontal pipe run. When mounting to a vertical pipe run, rotate the mounting bracket 90 degrees before mounting it to the monitor.
2. Place the mounting plate and monitor assembly on the pipe. The pipe should rest in the V-notches on the mounting plate.
3. Secure the mounting plate and monitor assembly to the pipe with two U-bolts (**item 5**), two 5/16" nuts (**item 6**), two small washers (**item 7**) and two large washers (**item 8**). Only finger-tighten the nuts at this point, do not wrench-tighten them. The mounting kit includes four U-bolts. Use the larger U-bolts when mounting to a 2" or 1-1/2" pipe. Use the smaller U-bolts when mounting to a 1" pipe.
4. Rotate the monitor to the desired position and wrench-tighten the nuts that secure the U-bolts.



©2009 Thermo Fisher Scientific Inc. All rights reserved. All trademarks are the property of Thermo Fisher Scientific Inc. and its subsidiaries.



### Process Water Instruments

**North America**  
166 Cummings Center  
Beverly, MA 01915 USA  
Toll Free: 1-800-225-1480  
Tel: 1-978-232-6000  
Dom. Fax: 1-978-232-6015  
Int'l Fax: 978-232-6031

**Europe**  
P.O. Box 254, 3860 AG Nijkerk  
Wallerstraat 125K, 3862 CN  
Nijkerk, Netherlands  
Tel: (31) 033-2463887  
Fax: (31) 033-2460832

**Asia Pacific**  
Blk 55, Ayer Rajah Crescent  
#04-16/24, Singapore 139949  
Tel: 65-6778-6876  
Fax: 65-6773-0836

[www.thermo.com/processwater](http://www.thermo.com/processwater)

263641-001 Rev. A 06-09

**Thermo**  
SCIENTIFIC