
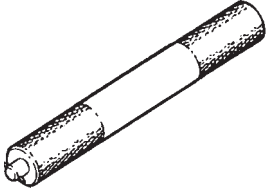
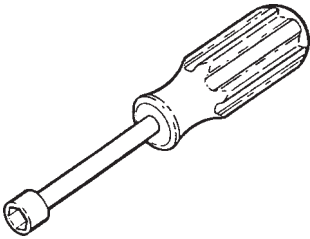
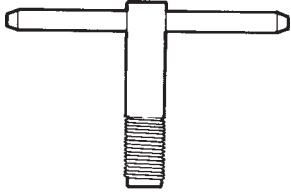
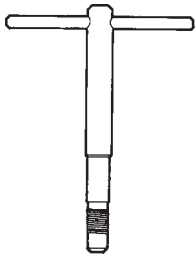
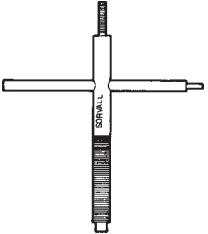

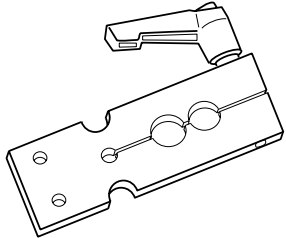
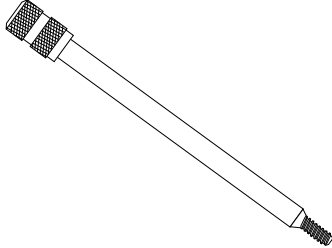
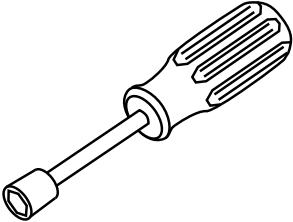
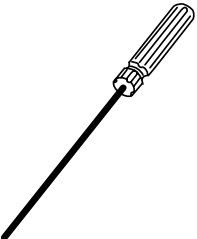
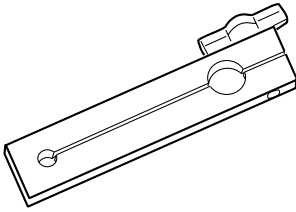
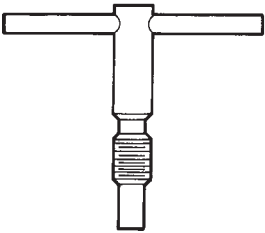
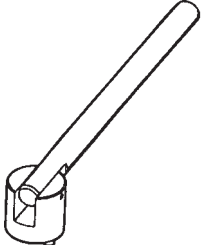

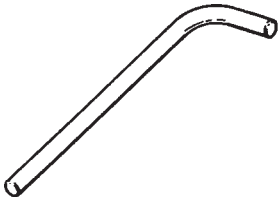


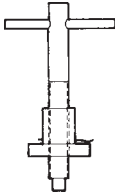
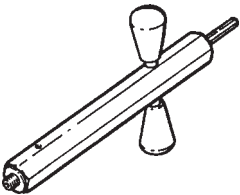
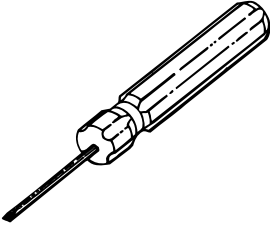
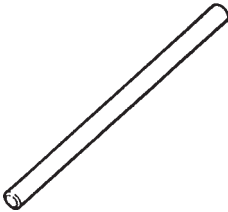
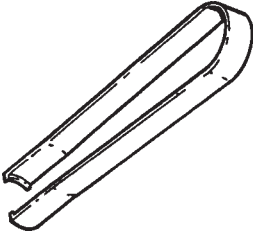
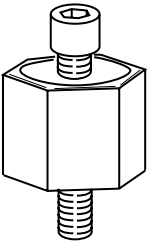
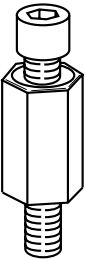
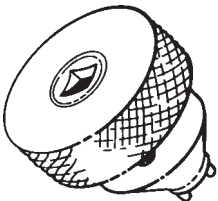
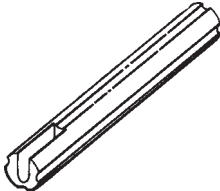
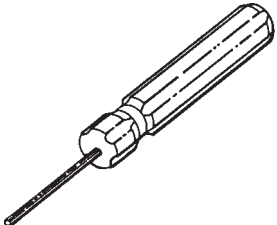
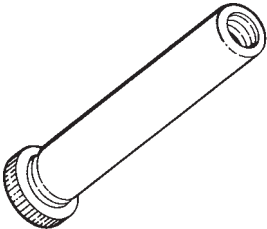
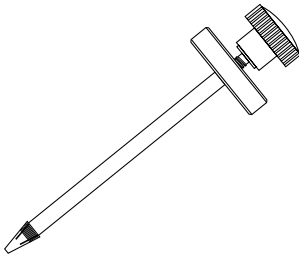
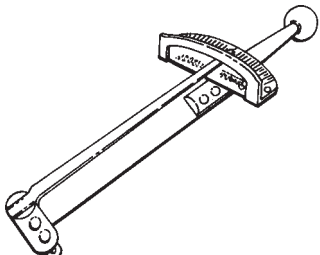
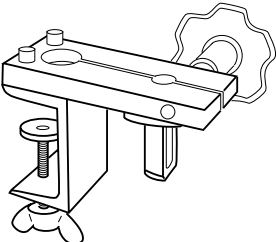
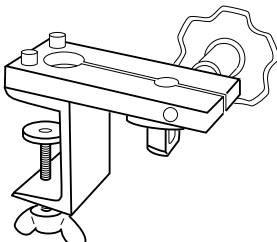
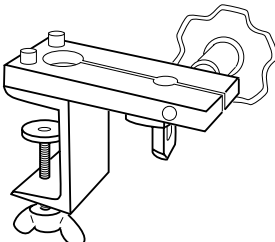
TOOL IDENTIFICATION

Refer to Product Index for Where Used

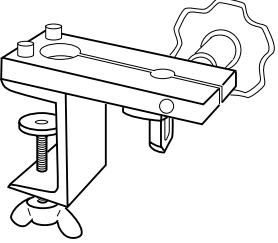
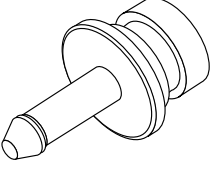
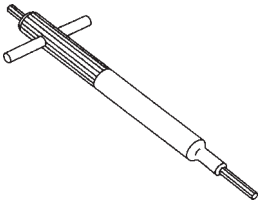
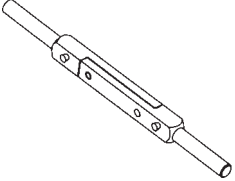
			
<p>00392 Adapter Removal Post</p>	<p>00693 Bottle Removal Tool for 75 ml Oak Ridge Bottle</p>	<p>01014 Wrench; 3/8 inch, for Stainless Steel Sealing Assembly</p>	<p>01031 Rotor Extractor Tool; SV-288, SV-80, SH-80, SH-MT, SS-34, SM-24, SE-12 TZ-28, SA-600, F-28/36, F-28/13, F-28/50</p>
			
<p>01047 Rotor Extractor Tool; GSA, GS-3, HS-4, F-16/250</p>	<p>01052 Rotor Extractor Tool; HG-4L, HL-8, HL-2</p>	<p>03919 Crimp Gauge, ULTRACRIMP® and CLEARCRIMP® Tubes</p>	<p>06780 Tube Vise, Easy-Seal</p>
			
<p>06783 Removal Tool, Easy-Seal</p>	<p>06795 Hex Driver, Easy-Seal</p>	<p>06796 Removal Tool, Cone-Top Crown</p>	<p>06831 Crown Clamp, Easy-Seal</p>
			
<p>09033 Rotor Extractor Tool; HB-4, HB-6</p>	<p>09054 Cap Wrench; SV-288, SH-MT</p>	<p>09073 Tube Trimmer for 36 ml Tubes</p>	<p>11246 Rotor Locking Tool; H-4000, H-6000A</p>

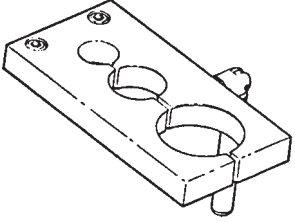
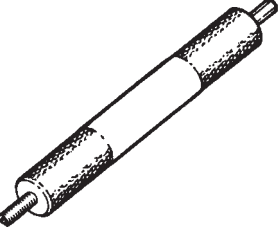
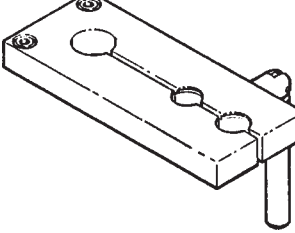
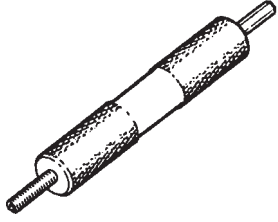
F

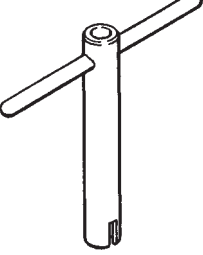
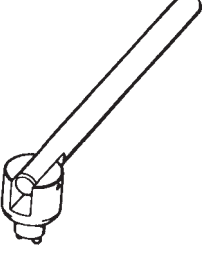

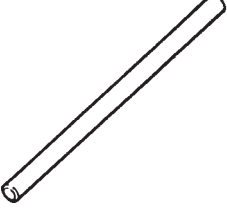
TOOL IDENTIFICATION (continued)

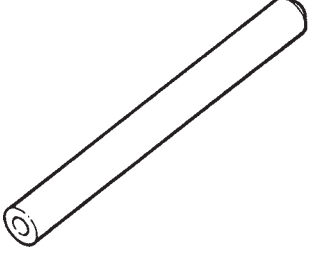
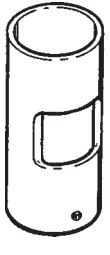
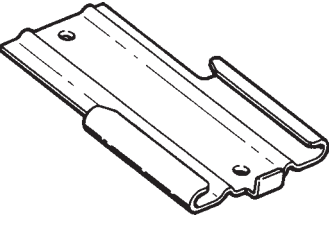
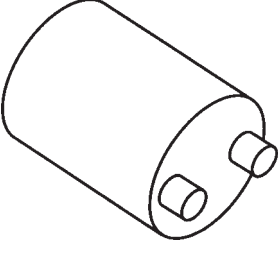
			
<p>11445 Rotor Extractor Tool; H-4000, H-6000A, H-2000B, HL-2B</p>	<p>11538 Tube Removal Tool</p>	<p>11556 Screwdriver, 5 1/2" long</p>	<p>11559 Rotor Handle 52392 Rotor Handle</p>
			
<p>12826 ULTRACRIMP® and CLEARCRIMP® Tube Removal Tool</p>	<p>12935 Extractor Tool, F-12/M18 KIT</p>	<p>12989 Rotor Extractor Tool</p>	<p>45271 Rotor Cap Wrench, RP120-VT and RP100-VT</p>
			
<p>45277 Bucket Cap Wrench, RP-55S</p>	<p>45308 Wrench, Re-Seal™ Tubes</p>	<p>45309 Removal Tool, Re-Seal™ Tubes</p>	<p>45328 Removal Tool, Ultra-Cone (no longer available)</p>
			
<p>45483 Torque Wrench, RP120-VT and RP100-VT</p>	<p>45534 Tube Vise Assembly 5 ml</p>	<p>45535 Tube Vise Assembly 3.5 ml</p>	<p>45536 Tube Vise Assembly 1.5 ml</p>

TOOL IDENTIFICATION (continued)

			
<p>45538 Tube Vise Assembly 2 ml</p>	<p>49007 Feed Adapter for Zonal Rotor (TZ-28)</p>	<p>92364 T-Wrench $\frac{3}{32}$" hex 92365 T-Wrench $\frac{9}{64}$" hex 92366 T-Wrench $\frac{5}{32}$" hex</p>	<p>49724 Rotor Cover Wrench</p>

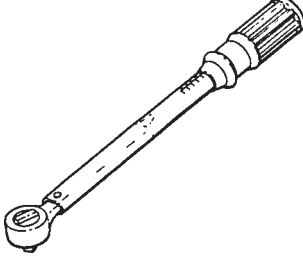
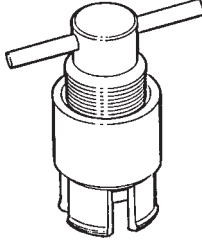
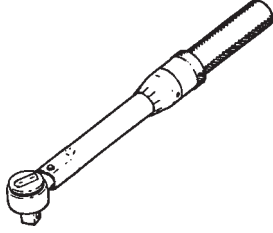
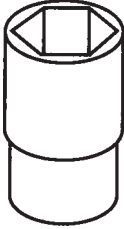
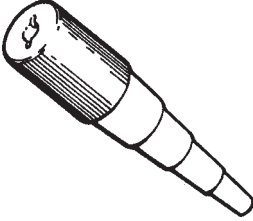
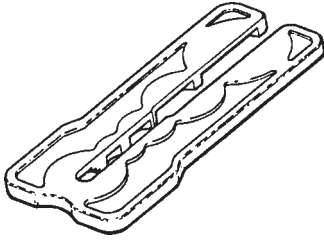
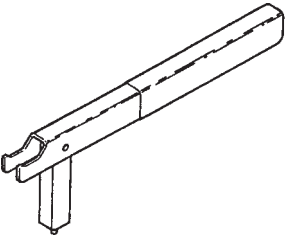
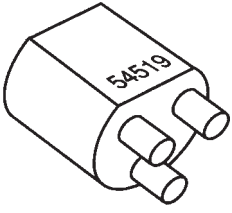
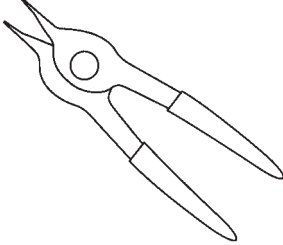
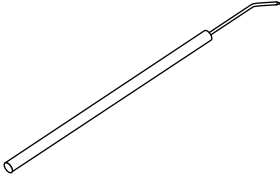
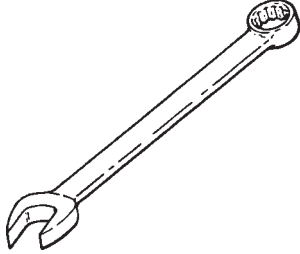
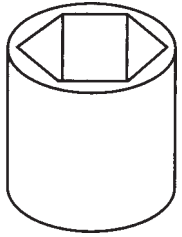

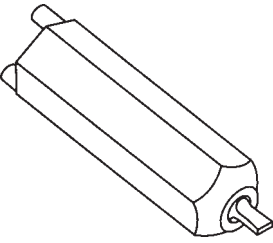
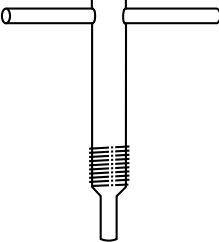
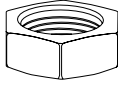
			
<p>51834 Tube Cap Vise for 36 ml and 100 ml Tubes</p>	<p>52013 Tube Removal Tool for 36 ml and 100 ml Tubes</p>	<p>52176 Tube Cap Vise for 4.4 ml, 6.5 ml, and 12.5 ml Tubes</p>	<p>52177 Tube Removal Tool for 12.5 ml Tubes</p>

			
<p>52258 Bucket Cap Wrench, AH-650</p>	<p>52363 Cap Wrench; SV-80, TV-865</p>	<p>52387 Tube Trimmer for 5 ml Tubes</p>	<p>52392 Rotor Handle 11559 Rotor Handle</p>

			
<p>52448 Tube Plug Removal Tool</p>	<p>52513 Tube Trimmer for 20 ml Tubes</p>	<p>52540 Rotor Holding Fixture</p>	<p>52577 Wrench Adapter</p>

F

TOOL IDENTIFICATION (continued)

			
<p>52580 Torque Wrench >150 in-lb (17 N•m)</p>	<p>52652 Rotor Cover Removal Tool</p>	<p>52881 Torque Wrench >150 in-lb (17 N•m)</p>	<p>52882 Socket, 7/16 inch</p>
			
<p>54376 Adapter Extractor, TFT-80.4 Also for Adapter P/N 00399</p>	<p>54377 Tube Cap Tool</p>	<p>54411 Lever Arm Extender</p>	<p>54519 Rotor Body Cap Tool</p>
			
<p>65614 Retaining Ring Pliers</p>	<p>66026 Sample Inject Needle, TZ-28</p>	<p>66298 Wrench, 3/4 inch 66297 Wrench, 7/8 inch</p>	<p>66376 Socket, 7/8 inch</p>
			
<p>68078 Rotor Extractor Tool; H-1000B</p>	<p>73031 F-12/M.18 Rotor Wrench</p>	<p>76818 Rotor Extractor Tool</p>	<p>91385 Rotor Wrench</p>